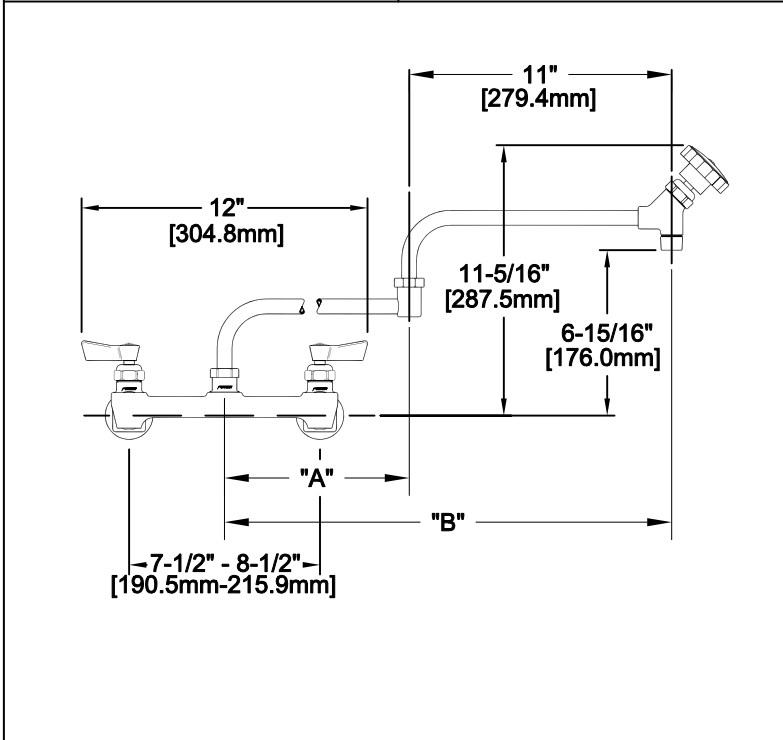


APPLICATION:
 JOB NAME:
 QUANTITY: ITEM NO.

PRODUCT NAME:
 ADJ. WALL POT FILLER W/DJ SPOUT
 SPECIAL CONFIGURATION
 CHECK BASE MODEL AND OPTIONS



MODEL	DIM "A"	DIM "B"
4230	7" [177.8mm]	18" [457.2mm]
4231	13" [330.2mm]	24" [609.6mm]

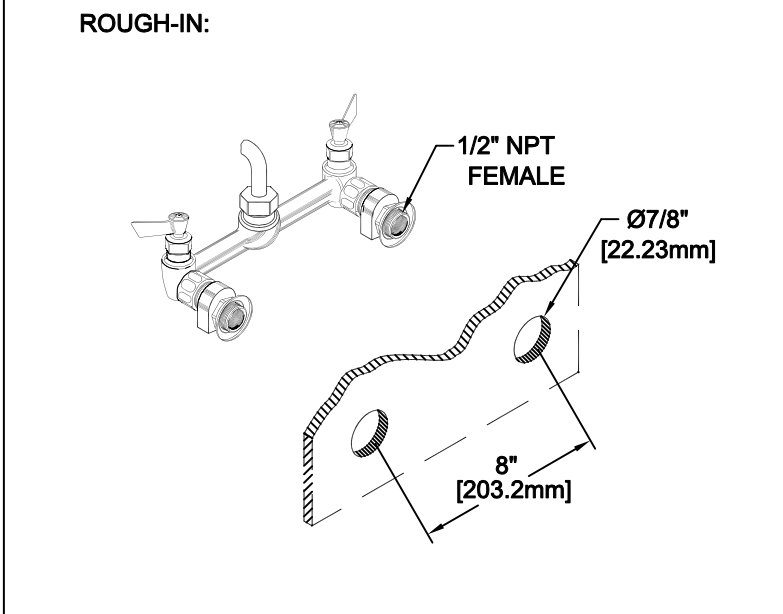
MODEL:
 4230 W/ 18" DJ SWING SPOUT
 4231 W/ 24" DJ SWING SPOUT

OPTIONS OR MODIFICATIONS:
 SUPPLY LINES (24" OR 36") CIRCLE LENGTH
 NIPPLES
 ELBOWS
 HANDLES (CROSS OR WRIST) CIRCLE STYLE
 VANDAL RESISTANT KIT
 OTHER _____

FEATURES:
 * ECCENTRICS ADJUST FROM 7-1/2" TO 8-1/2"
 * INTERNAL SPRING LOADED CHECK VALVES
 * SWIVELLING SEAT DISKS
 * HOT SIDE STEM - RIGHT HAND, COLD - LEFT HAND
 * SPOUT STEM - RIGHT HAND
 * STAINLESS STEEL SEAT SCREWS
 * STAINLESS STEEL HANDLE SCREWS

SYSTEM LIMITS
 * TEMP: 40°F MIN. TO 140°F MAX.
 * PRESSURE 200 PSI MAX. STATIC
 * 5.00 GPM @ 80 PSI

SHIPPING WEIGHT
 * 6.0 LBS



FISHER
 FISHER MANUFACTURING COMPANY
 TOLL FREE: 800-421-6162 - FAX: 800-832-8238
 information@fisher-mfg.com - www.fisher-mfg.com